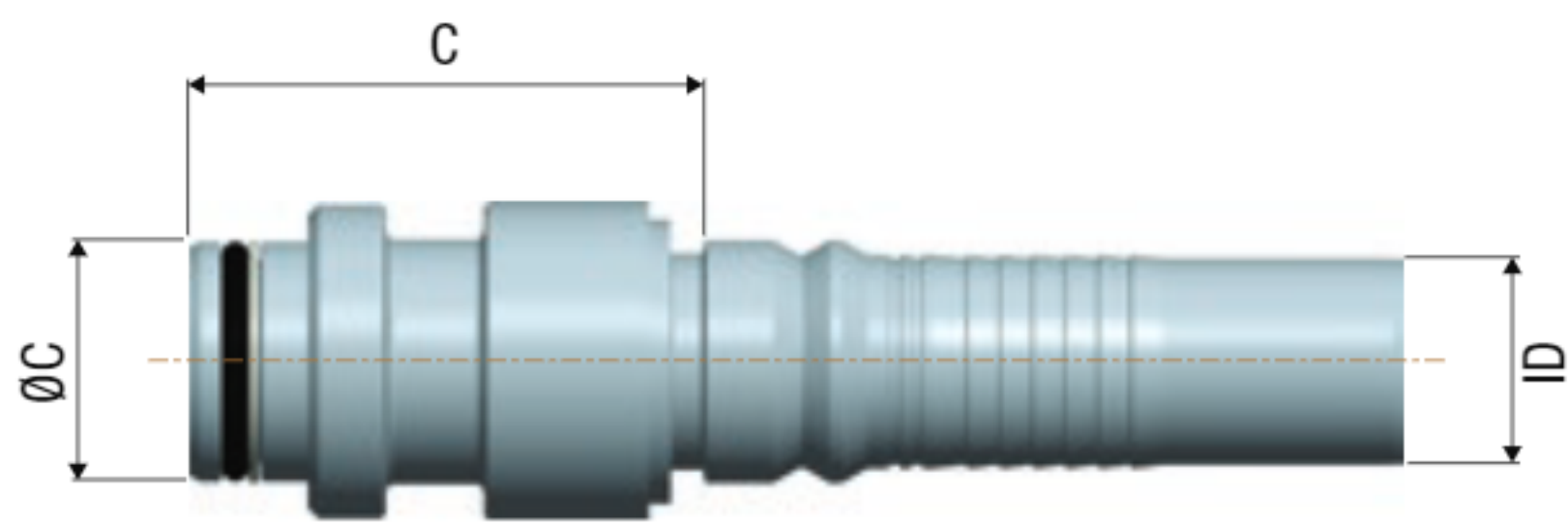


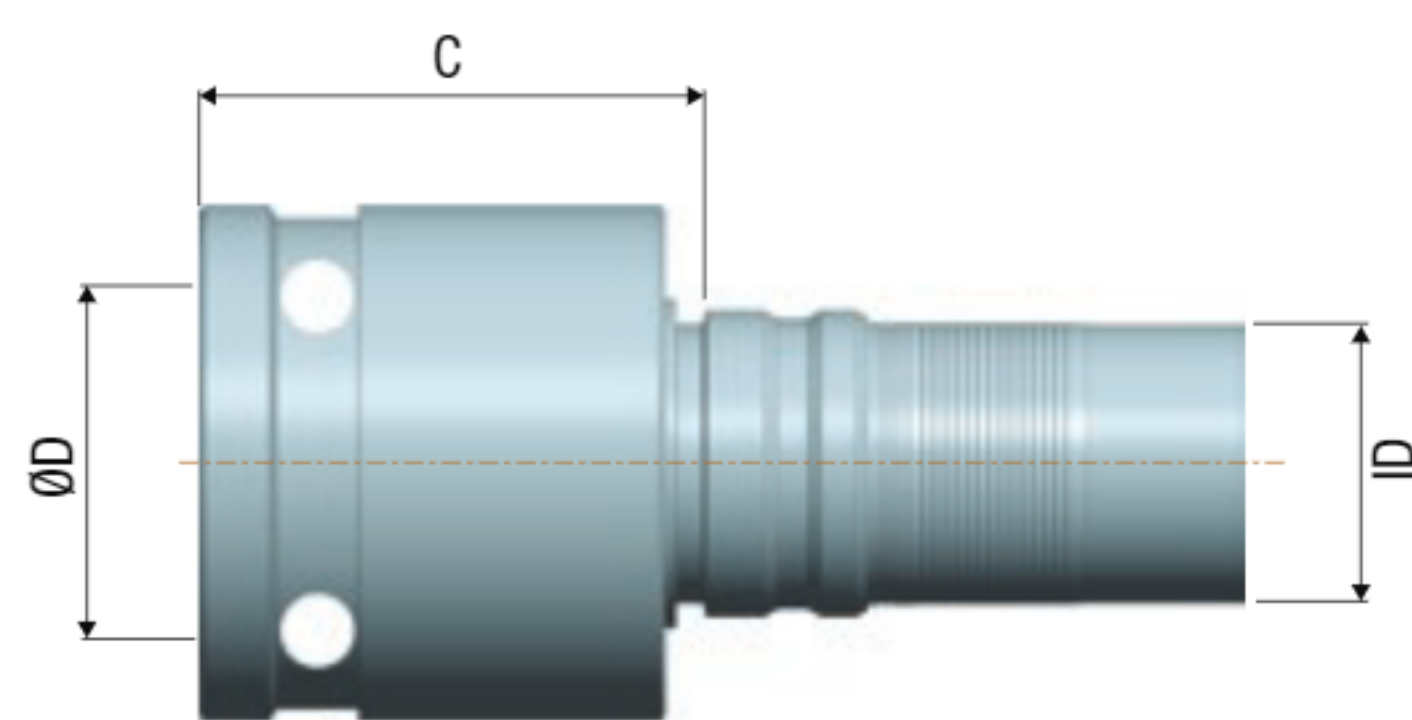
Rapid Staplelok Male

Part Number	Dash Size	Hose ID		F Thread		C Cut-Off Factor (mm)	Weight (lbs/each)
		(in)	(mm)	Dash Size	Size OD (mm)		
A-0404-SLMS	04	1/4	6.4	04	10	35.8	0.07
A-0606-SLMS	06	3/8	9.5	06	14	35.8	0.12
A-0808-SLMS	08	1/2	12.7	08	18	36.1	0.18
A-1212-SLMS	12	3/4	19.0	12	24	37.6	0.29
A-1616-SLMS	16	1	25.4	16	31	49.4	0.66
A-2020-SLMS	20	1 1/4	31.8	20	38	45.1	0.82
A-3232-SLMS	32	2	50.8	32	56	51.0	3.21



Super Rapid Staplelok Male

Part Number	Dash Size	Hose ID		F Thread		C Cut-Off Factor (mm)	Weight (lbs/each)
		(in)	(mm)	Dash Size	Size OD (mm)		
X-1212-SSLM	12	3/4	19.0	12	22	47.0	0.45
X-1616-SSLM	16	1	25.4	16	31	57.6	0.92
X-2424-SSLM	24	1 1/2	38.1	24	44	66.8	2.21
X-3232-SSLM	32	2	50.8	32	50	65.4	2.57



Super Rapid Staplelok Female

Part Number	Dash Size	Hose ID		F Thread		C Cut-Off Factor (mm)	Weight (lbs/each)
		(in)	(mm)	Dash Size	Size ID (mm)		
X-3232-SSLF	32	2	50.8	32	50	94.0	7.59

Because we continually examine ways to improve our products, we reserve the right to alter specifications or discontinue products without prior notice.