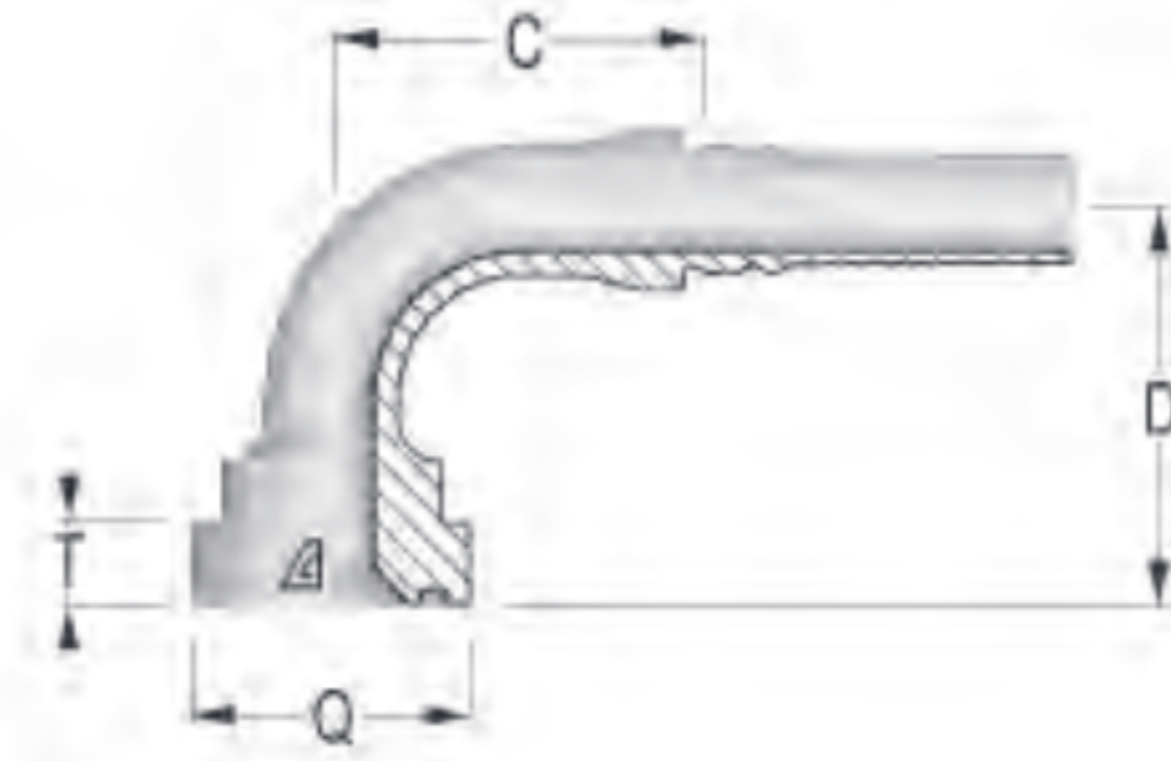


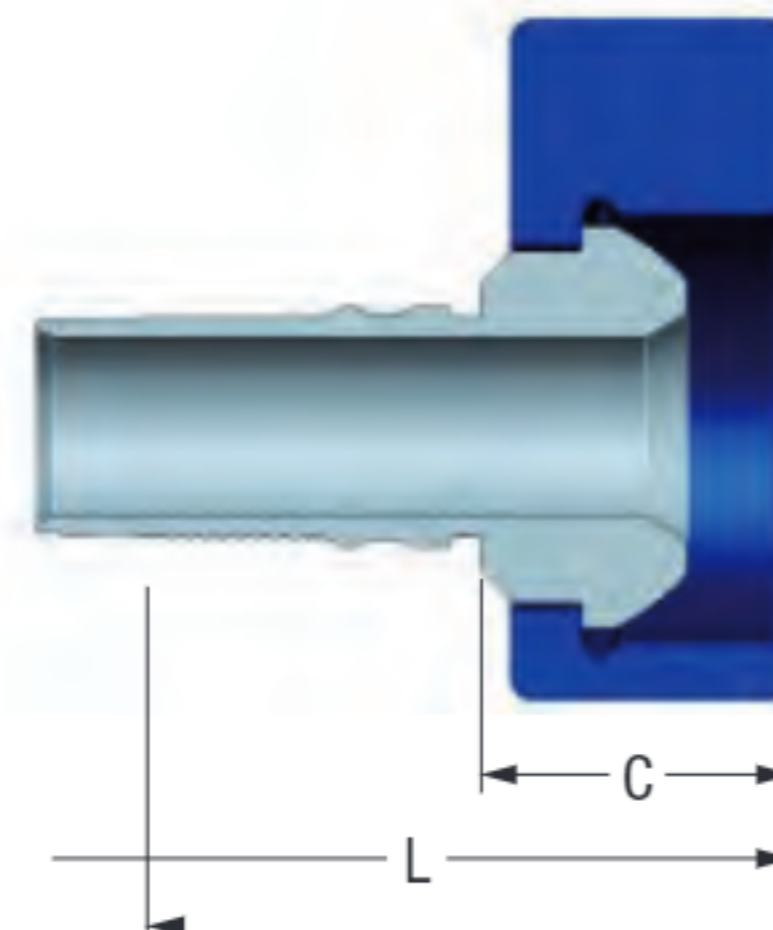
Interlock Inserts – US End Configurations



90° O-Ring SUPERCAT 6000 PSI Flange Interlock

Part Number	Dash Size	Hose ID Size		Q Flange		C Cut-Off Factor (mm)	D Drop (mm)	T (mm)	Weight (lbs/each)
		(in)	(mm)	(in)	(mm)				
X-1212-CFL9	12	3/4	19.0	1.63	41.3	64	67.0	14.3	0.80
X-1216-CFL9	12	3/4	19.0	1.88	47.6	65	70.0	14.3	1.06
X-1616-CFL9	16	1	25.4	1.88	44.5	80	79.0	14.3	1.54
X-1620-CFL9	16	1	25.4	2.13	50.8	75	82.5	14.3	1.62
X-2020-CFL9	20	1 1/4	31.8	2.13	50.8	89	93.0	14.3	2.47
X-2024-CFL9	20	1 1/4	31.8	2.50	60.3	91	101.0	14.3	3.08

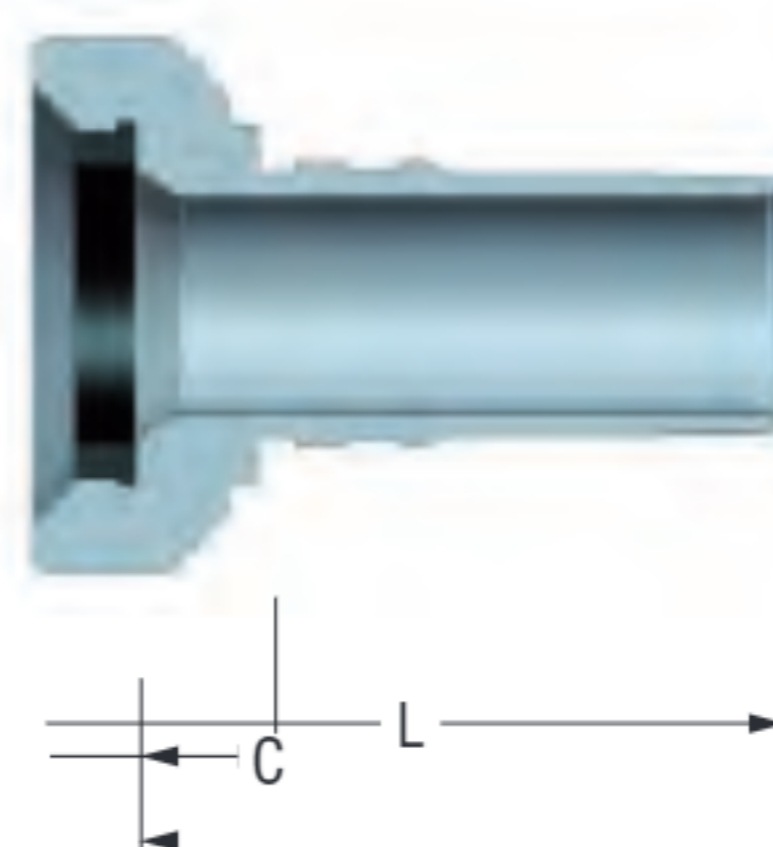
NEW



Male Hammer Union Fig. 1502 integral fitting with Lug Nut – Use with Alfabiotech 5000 and Flexor Rig hoses

Part Number	Dash Size	Hose ID (in)	Hose ID (mm)	C Cut-Off (mm)	L Overall Length (mm)	Weight (lbs/each)
X-3232-MHUN	32	2	50.8	71.0	152	14.11

NEW



Female Hammer Union Fig. 1502 integral fitting with Rubber Ring – Use with Alfabiotech 5000 and Flexor Rig hoses

Part Number	Dash Size	Hose ID (in)	Hose ID (mm)	C Cut-Off (mm)	L Overall Length (mm)	Weight (lbs/each)
X-3232-FHUN	32	2	50.8	67.5	148.5	5.07