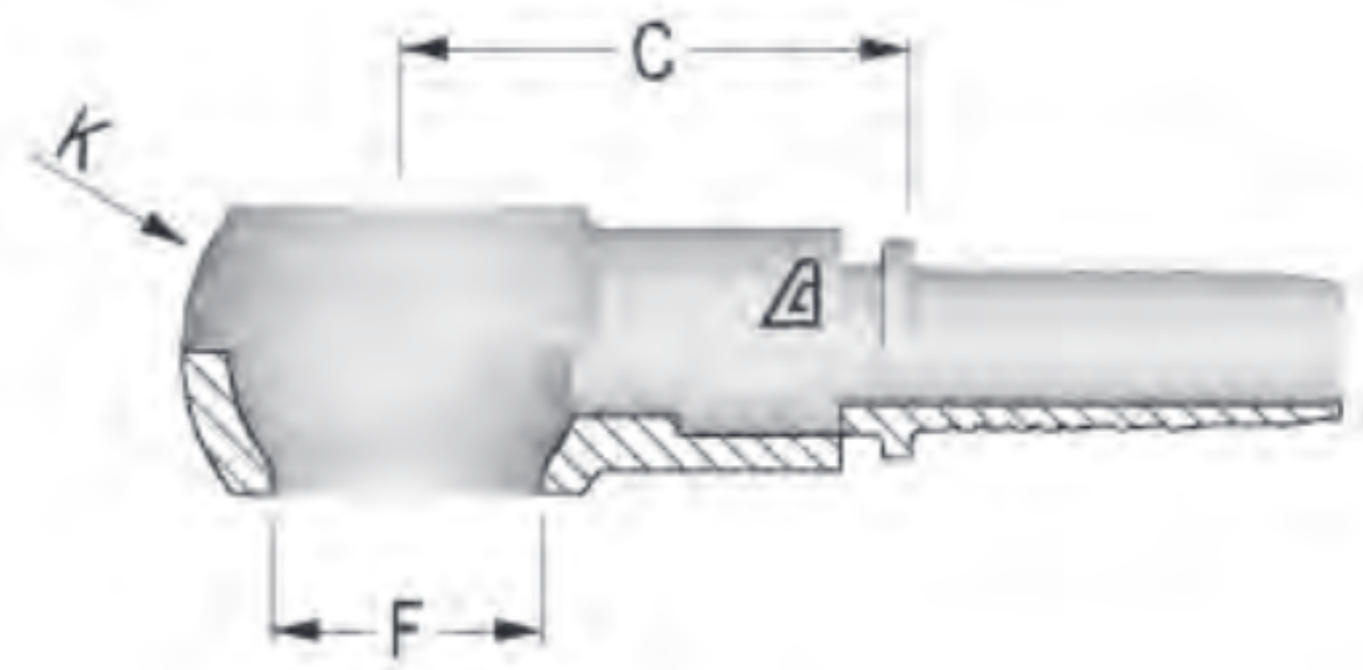
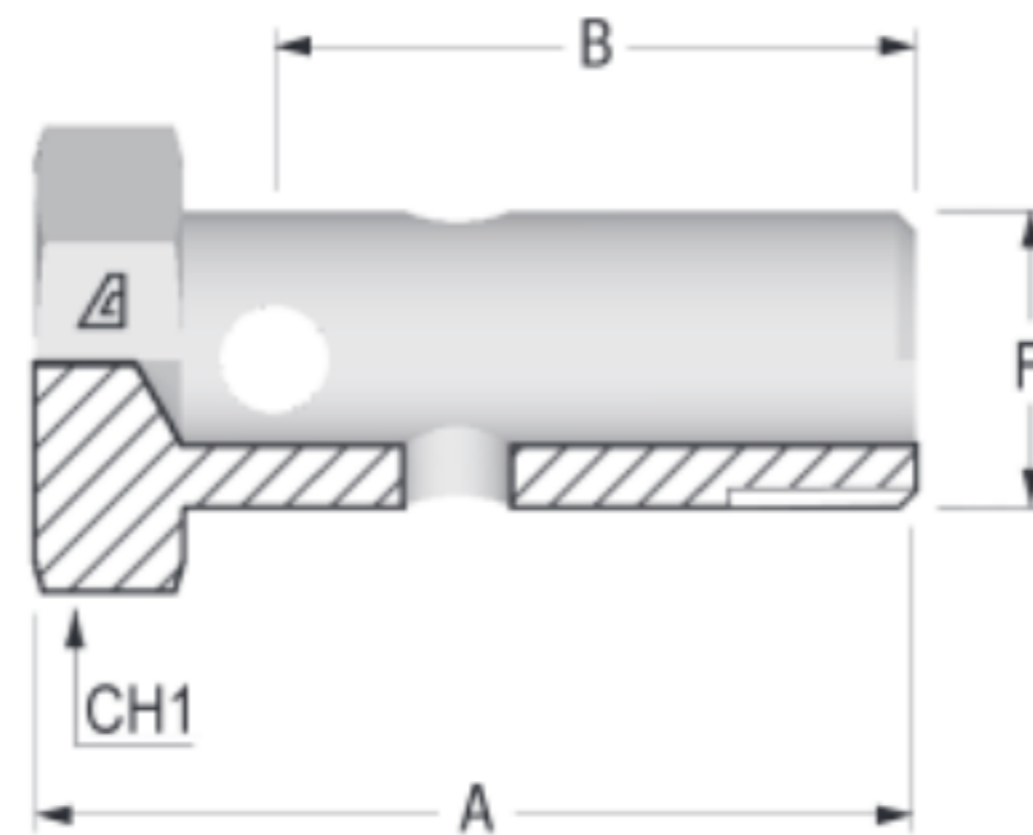


## Inserts for two-piece fittings – International End Inserts



### Metric Banjo

Part Number	Dash Size	Hose ID Size		F Thread Size (mm) x TP (mm)	C Cut-Off Factor (mm)	K (mm)	Weight (lbs/each)
		(in)	(mm)				
A-0412-MBAN	04	1/4	6.4	M12x1.5	28.5	20	0.05
A-0414-MBAN	04	1/4	6.4	M14x1.5	27.5	24	0.06
A-0512-MBAN	05	5/16	7.9	M12x1.5	28.5	24	0.06
A-0514-MBAN	05	5/16	7.9	M14x1.5	27.5	24	0.07
A-0614-MBAN	06	3/8	9.5	M14x1.5	27.5	24	0.08
A-0616-MBAN	06	3/8	9.5	M16x1.5	30.5	28	0.11
A-0618-MBAN	06	3/8	9.5	M18x1.5	31.5	32	0.15
A-0818-MBAN	08	1/2	12.7	M18x1.5	32.0	32	0.17
A-0822-MBAN	08	1/2	12.7	M22x1.5	35.0	39	0.19
A-1022-MBAN	10	5/8	15.9	M22x1.5	35.0	39	0.28
A-1226-MBAN	12	3/4	19.0	M26x1.5	38.5	46	0.42
A-1630-MBAN	16	1	25.4	M30x1.5	42.5	54	0.94



### Metric Bolt

Part Number	F Thread Size (in) -TPI	A (mm)	B (mm)	CH1 (mm)	Weight (lbs/each)
MBOLT-10	10x1.5	24	19	14	0.03
MBOLT-12	12x1.5	29	24	17	0.06
MBOLT-14	14x1.5	34	28	19	0.08
MBOLT-16	16x1.5	41	34	22	0.13
MBOLT-18	18x1.5	44	37	24	0.15
MBOLT-22	22x1.5	48	41	27	0.23
MBOLT-26	26x1.5	52	42	32	0.38
MBOLT-30	30x1.5	62	51	38	0.53

Because we continually examine ways to improve our products, we reserve the right to alter specifications or discontinue products without prior notice.