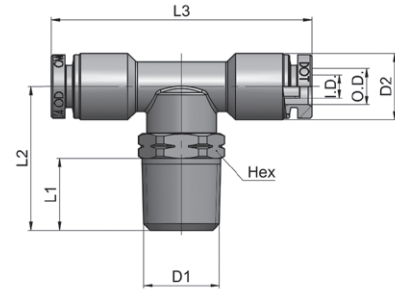


Tee Fittings



Male Branch Tee Swivel

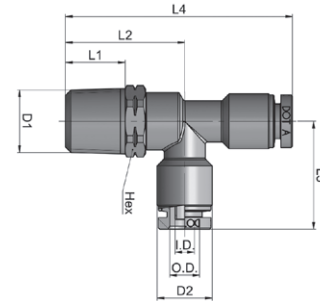
DOT-BRMBTS Series

Nominal Specifications

Part Number	Description	Tube OD (in)	Tube [†] ID (in)	D1 NPTF (in)	D2 (in)	L1 (in)	L2 (in)	L3 (in)	HEX (in)	Weight Each (lbs)	*Pieces Per Package
DOT-BRMBTS-0402	MALE BR TEE SWIVEL 1/4 TB X 1/8 NPTF	1/4	.165	1/8	.472	.335	0.835	1.850	1/2	0.064	25
DOT-BRMBTS-0404	MALE BR TEE SWIVEL 1/4 TB X 1/4 NPTF	1/4	.165	1/4	.472	.512	1.031	1.850	9/16	0.075	25
DOT-BRMBTS-0406	MALE BR TEE SWIVEL 1/4 TB X 3/8 NPTF	1/4	.165	3/8	.472	.512	1.051	1.850	11/16	0.091	25
DOT-BRMBTS-0604	MALE BR TEE SWIVEL 3/8 TB X 1/4 NPTF	3/8	.244	1/4	.630	.512	1.122	2.126	11/16	0.134	25
DOT-BRMBTS-0606	MALE BR TEE SWIVEL 3/8 TB X 3/8 NPTF	3/8	.244	3/8	.630	.512	1.122	2.126	11/16	0.135	25
DOT-BRMBTS-0608	MALE BR TEE SWIVEL 3/8 TB X 1/2 NPTF	3/8	.244	1/2	.630	.669	1.339	2.126	7/8	0.178	25
DOT-BRMBTS-0804	MALE BR TEE SWIVEL 1/2 TB X 1/4 NPTF	1/2	.362	1/4	.787	.512	1.260	2.339	13/16	0.213	25
DOT-BRMBTS-0806	MALE BR TEE SWIVEL 1/2 TB X 3/8 NPTF	1/2	.362	3/8	.787	.512	1.260	2.339	13/16	0.201	25
DOT-BRMBTS-0808	MALE BR TEE SWIVEL 1/2 TB X 1/2 NPTF	1/2	.362	1/2	.787	.669	1.437	2.339	7/8	0.228	25

† Note: The "Tube ID (in)" column heading refers to "Tube Support ID (in)"

*Only sold in package quantities



Male Run Tee Swivel

DOT-BRMRTS Series

Nominal Specifications

Part Number	Description	Tube OD (in)	Tube [†] ID (in)	D1 NPTF (in)	D2 (in)	L1 (in)	L2 (in)	L3 (in)	L4 (in)	HEX (in)	Weight Each (lbs)	*Pieces Per Package
DOT-BRMRTS-0402	MALE RN TEE SWIVEL 1/4 TB X 1/8 NPTF	1/4	.165	1/8	.472	.335	0.835	0.925	1.752	1/2	0.076	25
DOT-BRMRTS-0404	MALE RN TEE SWIVEL 1/4 TB X 1/4 NPTF	1/4	.165	1/4	.472	.512	1.031	0.925	1.949	9/16	0.074	25
DOT-BRMRTS-0406	MALE RN TEE SWIVEL 1/4 TB X 3/8 NPTF	1/4	.165	3/8	.472	.512	1.051	0.925	1.969	11/16	0.091	25
DOT-BRMRTS-0604	MALE RN TEE SWIVEL 3/8 TB X 1/4 NPTF	3/8	.244	1/4	.630	.512	1.122	1.063	2.185	11/16	0.132	25
DOT-BRMRTS-0606	MALE RN TEE SWIVEL 3/8 TB X 3/8 NPTF	3/8	.244	3/8	.630	.512	1.122	1.063	2.185	11/16	0.135	25
DOT-BRMRTS-0608	MALE RN TEE SWIVEL 3/8 TB X 1/2 NPTF	3/8	.244	1/2	.630	.669	1.339	1.063	2.402	7/8	0.134	25
DOT-BRMRTS-0804	MALE RN TEE SWIVEL 1/2 TB X 1/4 NPTF	1/2	.362	1/4	.787	.512	1.260	1.169	2.429	13/16	0.213	25
DOT-BRMRTS-0806	MALE RN TEE SWIVEL 1/2 TB X 3/8 NPTF	1/2	.362	3/8	.787	.512	1.260	1.169	2.429	13/16	0.199	25
DOT-BRMRTS-0808	MALE RN TEE SWIVEL 1/2 TB X 1/2 NPTF	1/2	.362	1/2	.787	.669	1.437	1.169	2.606	7/8	0.227	25

† Note: The "Tube ID (in)" column heading refers to "Tube Support ID (in)"

*Only sold in package quantities

Because we continually examine ways to improve our products, we reserve the right to alter specifications or discontinue products without prior notice.